

# NOBIS

ID CODE: 90





The NOBIS family is designed as a complete set of architectural luminaires for use in exterior applications such as high-end residential, hotel or commercial projects. Options include **bulkheads for wall and ceiling installation**, which are complimented by versions in **bollard, ground, semi-recessed** and **stand-alone USB formats**, creating a complete family for design continuity.

The sliding optical system allows users to control the light distribution making this a unique and tactile lighting solution.








Design  
esse-ci

## FEATURES

-  Direct Emission
-  UGR <22
-  IP 66
-  -20°C +40°C

## LED

-  3000K
- >52 lm/W icon" data-bbox="145 561 159 575"/> >52 lm/W
-  CRI >80
-  Eye safety: RG0/RG1
-  Mac Adams 3
-  L80/B10 >50.000h

## CERTIFICATIONS

-  CE
-  A+
-  5 years warranty

## ON REQUEST

-  4000K

**Specifications** Built-in driver.

**Optic** Satin polycarbonate diffuser.

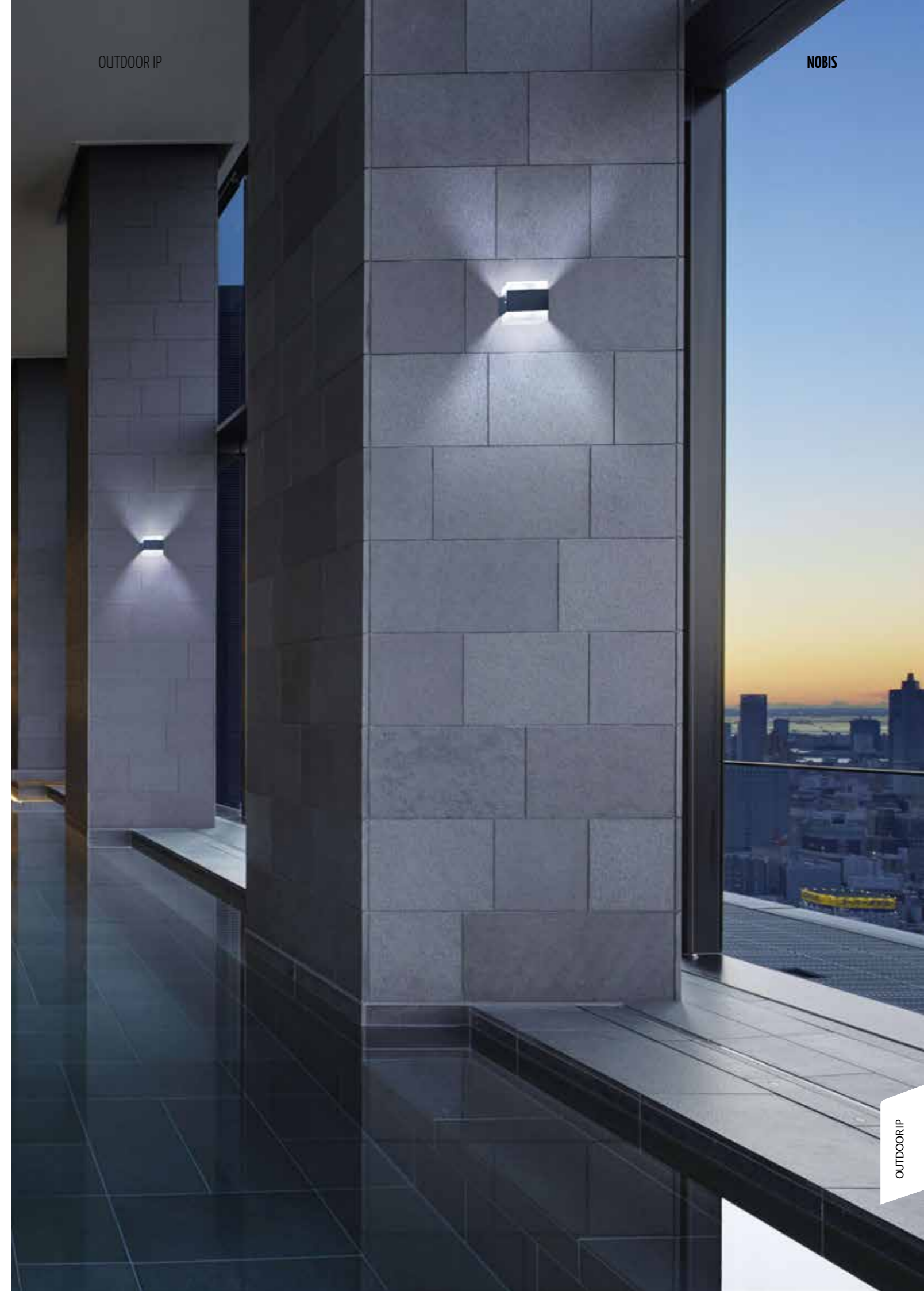
**Body** Body - diffuser manufactured from shock-resistant, anti-static technopolymer, with an exclusive surface treatment to guarantee constant light homogeneity.

**Colour**

- White RAL 9003 wrinkled - Code: W
- Black RAL 9005 wrinkled - Code: BK
- Anthracite - Code: GA
- Bronze Corten - Code: BC

OUTDOOR IP

NOBIS



OUTDOOR IP

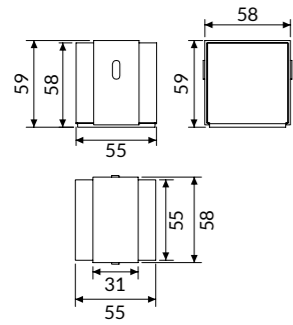
esse-ci

### NOBIS MINI

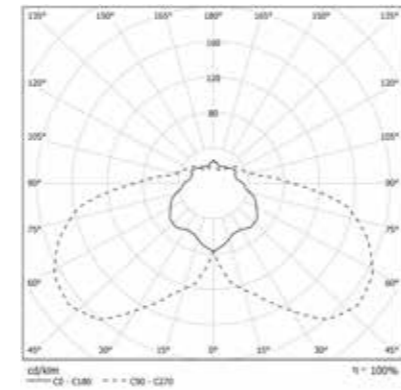
#### OPTIC

Satin polycarbonate diffuser.

Version supplied with 2m cable.



IP 66 A+



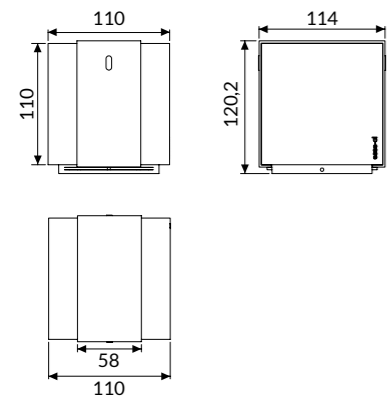
COLOUR TEMPERATURE 3000K

COD	💡	lm	mm
90PC3L366	3W	208	55x55

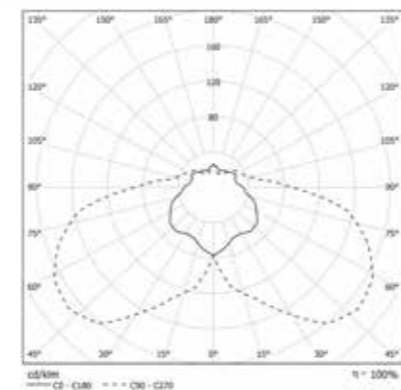
### NOBIS

#### OPTIC

Satin polycarbonate diffuser.



IP 66 A+



COLOUR TEMPERATURE 3000K

COD	💡	lm	mm
90PC13L366	13W	696	110x110

OUTDOOR IP

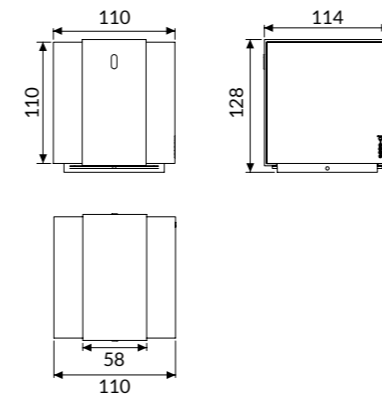
NOBIS

### NOBIS USB

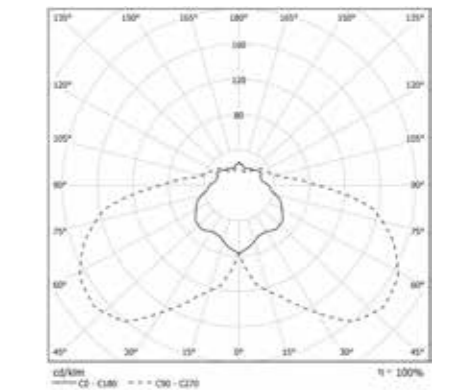
#### OPTIC

Satin polycarbonate diffuser with power and change color button. USB rechargeable.

Device with batteries included rechargeable via USB socket. 5h autonomy.



IP 66 A+



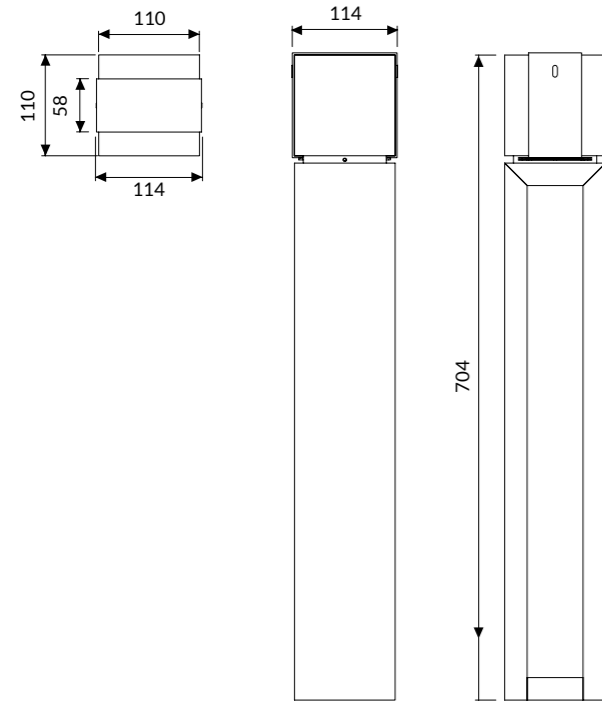
COLOUR TEMPERATURE 2700K -> 4500K

COD	💡	lm	mm
90PC2USB66	2W	140	110x110

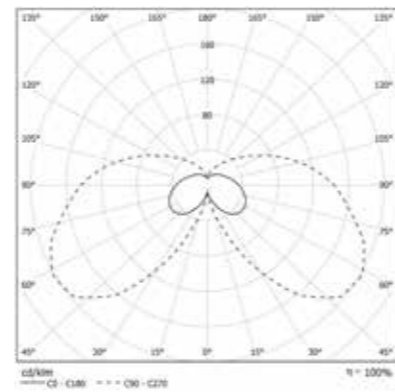
## NOBIS BOLLARD

### OPTIC

Satin polycarbonate diffuser.



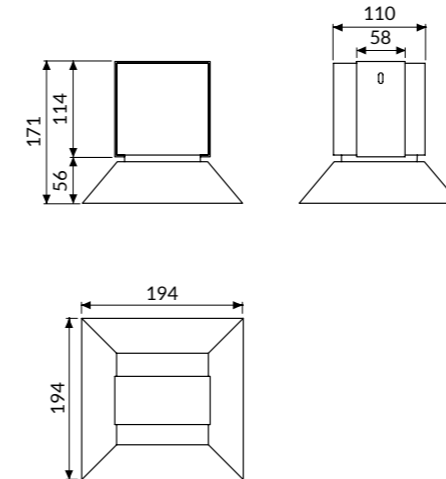
IP 66 A+



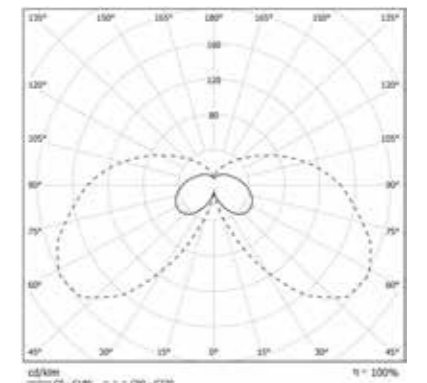
## NOBIS GROUND

### OPTIC

Satin polycarbonate diffuser.



IP 66 A+



### COLOUR TEMPERATURE

3000K

COD		lm	mm
90PC13L3G66	13W	696	110x110

## Accessories

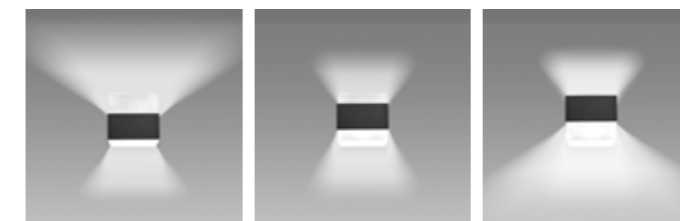


**90AA19**  
NOBIS MINI box for semi-recessed wall installation.



**90AA19S**  
NOBIS box for semi-recessed wall installation.

## Technical Note



Adjustable cover.

Available cover colors:



White RAL 9003 Code: W	Black RAL 9005 Code: BK	Anthracite Code: GA	Bronze Corten Code: BC
------------------------------	-------------------------------	------------------------	---------------------------

### COLOUR TEMPERATURE

3000K

COD		lm	mm
90PC13L3B66	13W	696	110x110