



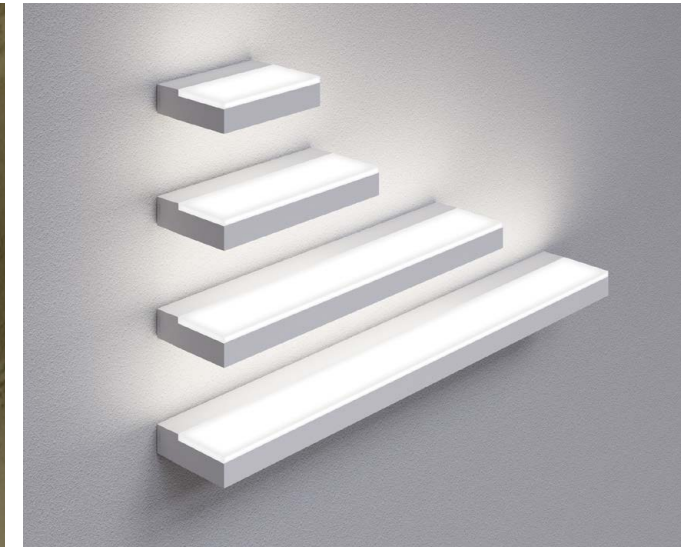
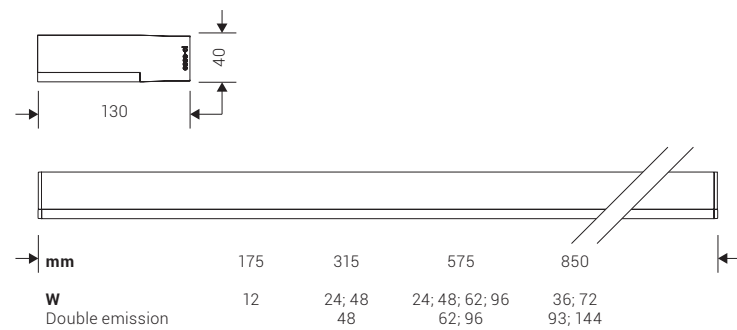
UPLIK

UPLIK is a wall mounting fixture that, with his simple and clean lines, fits perfectly in any environment. The different emissions, power, sizes and bright packages offer a very wide range of solutions to meet any lighting requirement. UPLIK is also available in floor version for lighting in working environments thanks to DPL diffuser with UGR<19.

Design Esse-ci

Technical specifications at page 318

η	>95 lm/W	
UGR	<19; <22	
CRI	>80	
IP	40	





UPLIK



Design
Esse-ci

DESCRIPTION

UPLIK is a wall mounting fixture that, with his simple and clean lines, fits perfectly in any environment. The different emissions, power, sizes and bright packages offer a very wide range of solutions to meet any lighting requirement. UPLIK is also available in floor version for lighting in working environments thanks to DPL diffuser with UGR<19.

SPECIFICATIONS

Integrated driver
 Colour temperature: 3000K/4000K
 CRI>80
 Mac Adams 3
 Life Time 50.000 h - 5 years complete warranty
 Eye safety: risk-free (RG 0) in accordance with EN62471:2009

FLUX MAINTENANCE

CURRENT	L90/B10	L90/B50	L80/B10	L80/B50	L70/B10	L70/B50*
350mA	22.000h	50.000h	44.000h	50.000h	50.000h	50.000h
500mA	22.000h	50.000h	44.000h	50.000h	50.000h	50.000h

* E.g. L70 = guaranteed luminous flux of the entire luminaire 70%
 B50 = 50% of the diodes may have a flux reduction below 70%

OPTICS

DPL technology diffuser to control glare UGR<19 for FLOOR version
 PG diffuser for soft diffusion with UGR<22
 Diffuser with Light Indirect Control (LIC) technology to favor the indirect illumination.
 Double emission: direct / indirect.

BODY

Aluminum extruded body.

LEGAL REFERENCES

Conforms to IEC 60 598-1.

CERTIFICATIONS

CE IP 40

ErP class: A⁺⁺ - A⁺

COLOURS

White RAL 9003 - Code: B

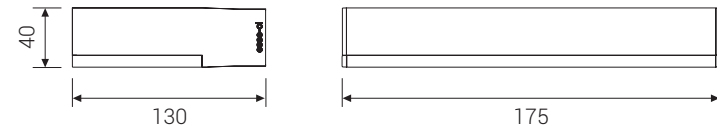
ON REQUEST

- Wiring DALI dimmable - Code: RDD (verify the version available)
- Wiring DIM2mains dimmable - Code: DDM (verify the version available)
- Wiring with emergency kit - Code: EM for 1 hour / EM3H for 3 hour (verify the version available)

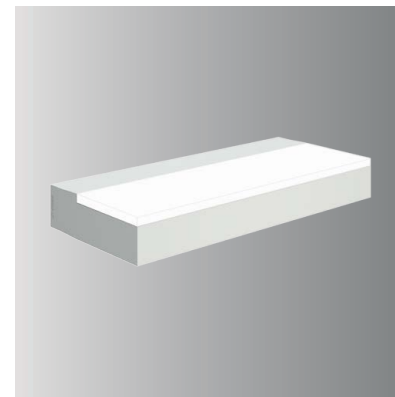
UPLIK WALL MINI

OPTIC

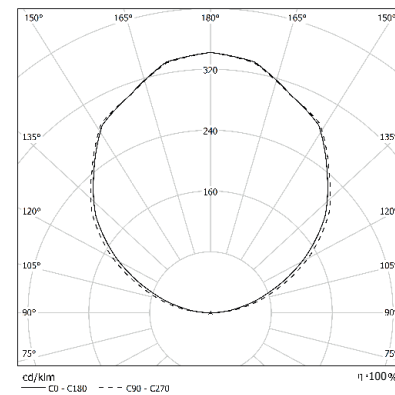
Methacrylate satin antistatic diffuser screen, UGR<22.
LIC (Lateral indirect Control) technology for partially indirect emission.



COD		lm	mm
76DR12L4	12W 4000K	1008	175
76DR12L3	12W 3000K	984	175



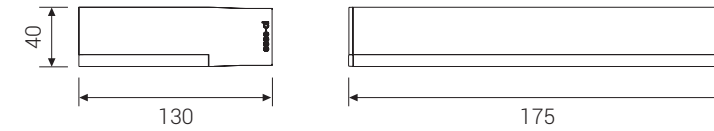
IP 40



UPLIK WALL MINI Double emission

OPTIC

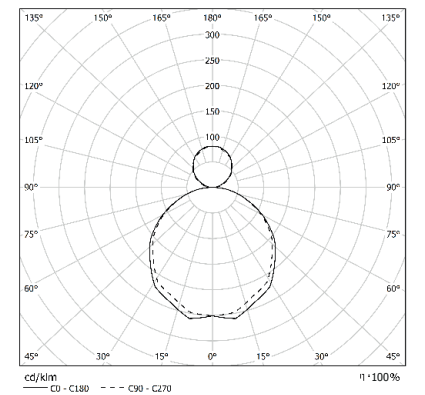
Lower methacrylate satin antistatic diffuser screen, UGR<22.
LIC (Lateral indirect Control) technology and upper PG protective diffuser for dual emission: direct / indirect.



COD		lm	mm
76DI12L4	12W 4000K	1044	175
76DI12L3	12W 3000K	1008	175



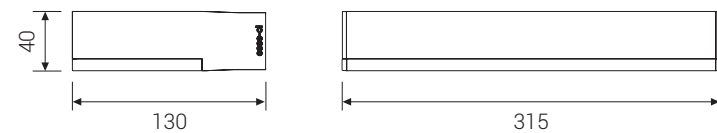
IP 40



UPLIK WALL SMALL

OPTIC

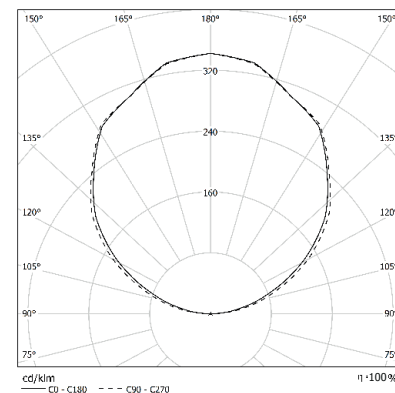
Methacrylate satin antistatic diffuser screen, UGR<22.
LIC (Lateral indirect Control) technology for partially indirect emission.



COD		lm	mm
76DR24L4HPS	24W 4000K	2016	315
76DR48L4XPS	48W 4000K	4080	315
COD		lm	mm
76DR24L3HPS	24W 3000K	1968	315
76DR48L3XPS	48W 3000K	3984	315



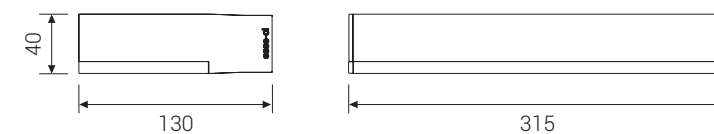
IP 40



UPLIK WALL SMALL Double emission

OPTIC

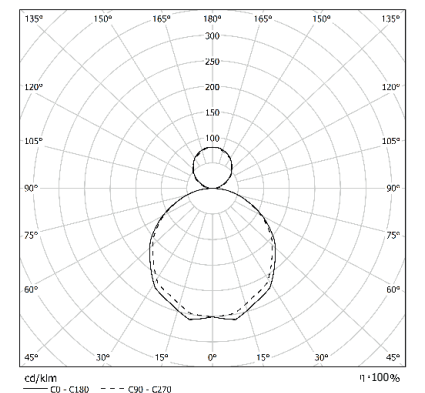
Lower methacrylate satin antistatic diffuser screen, UGR<22.
LIC (Lateral indirect Control) technology and upper PG protective diffuser for dual emission: direct / indirect.



COD		lm	mm
76DI48L4XPS	48W 4000K	4224	315
76DI48L3XPS	48W 3000K	4080	315



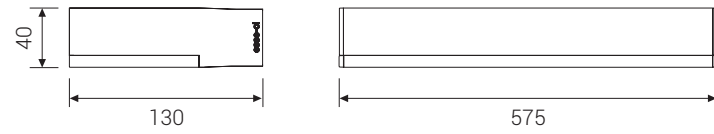
IP 40



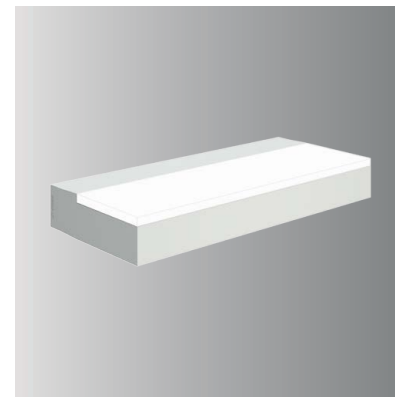
UPLIK WALL MEDIUM

OPTIC

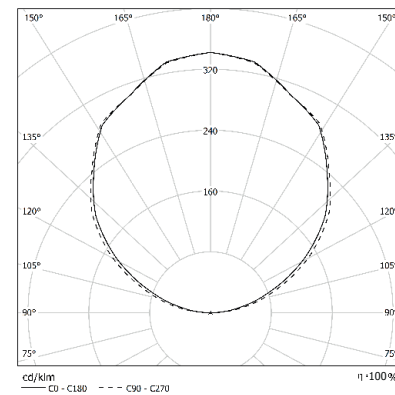
Methacrylate satin antistatic diffuser screen, UGR<22.
LIC (Lateral indirect Control) technology for partially indirect emission.



COD		lm	mm
76DR24L4M	24W 4000K	1968	575
76DR48L4HPM	48W 4000K	4032	575
76DR62L4XPM	62W 4000K	5270	575
76DR96L4XPM	96W 4000K	8160	575
COD		lm	mm
76DR24L3M	24W 3000K	1920	575
76DR48L3HPM	48W 3000K	3936	575
76DR62L3XPM	62W 3000K	5146	575
76DR96L3XPM	96W 3000K	7968	575



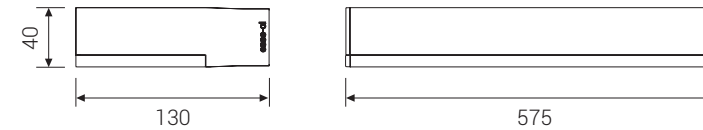
IP 40



UPLIK WALL MEDIUM Double emission

OPTIC

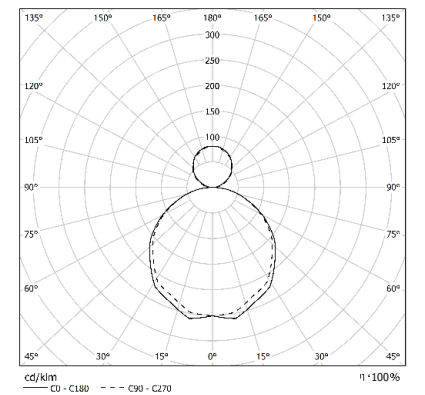
Lower methacrylate satin antistatic diffuser screen, UGR<22.
LIC (Lateral indirect Control) technology and upper PG protective diffuser for dual emission: direct / indirect.



COD		lm	mm
76DI62L4XPM	62W 4000K	5332	575
76DI96L4XPM	96W 4000K	8256	575
COD		lm	mm
76DI62L3XPM	62W 3000K	5146	575
76DI96L3XPM	96W 3000K	7968	575



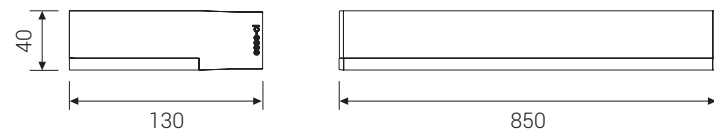
IP 40



UPLIK WALL LONG

OPTIC

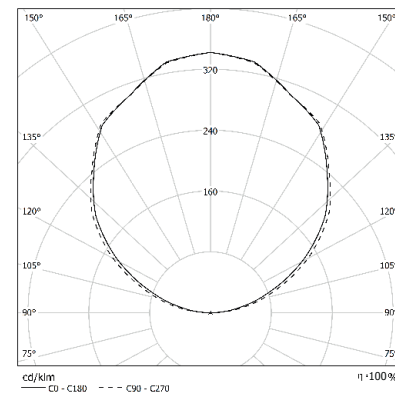
Methacrylate satin antistatic diffuser screen, UGR<22.
LIC (Lateral indirect Control) technology for partially indirect emission.



COD		lm	mm
76DR36L4L	36W 4000K	2952	850
76DR72L4HPL	72W 4000K	6048	850
COD		lm	mm
76DR36L3L	36W 3000K	2880	850
76DR72L3HPL	72W 3000K	5904	850



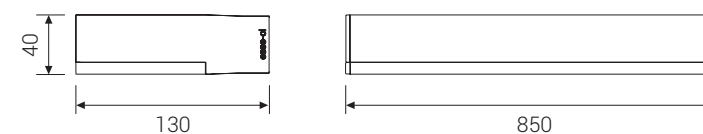
IP 40



UPLIK WALL LONG Double emission

OPTIC

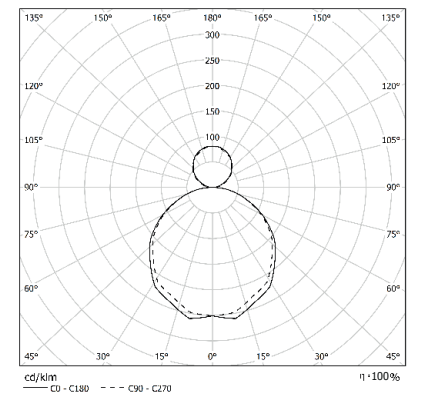
Lower methacrylate satin antistatic diffuser screen, UGR<22.
LIC (Lateral indirect Control) technology and upper PG protective diffuser for dual emission: direct / indirect.



COD		lm	mm
76DI93L4XPL	93W 4000K	7568	850
76DI144L4XPL	144W 4000K	12104	850
COD		lm	mm
76DI93L3XPL	93W 3000K	7119	850
76DI144L3XPL	144W 3000K	11052	850



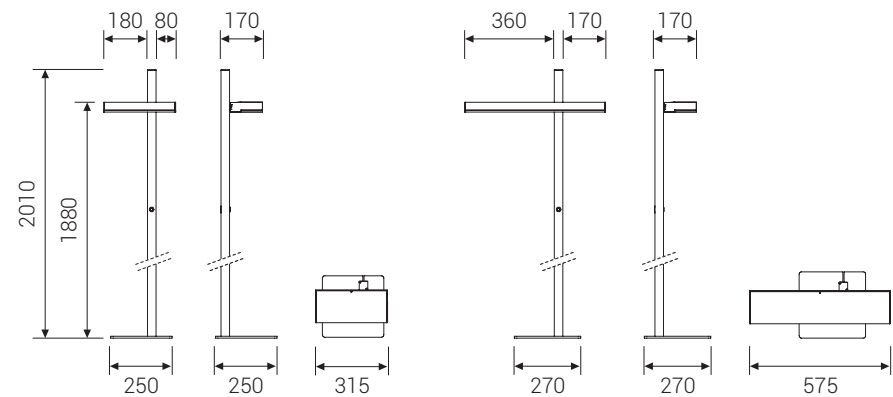
IP 40



UPLIK FLOOR

OPTIC

Diffuser with Diamond Prism Technology UGR<19 for environments with display screen equipment. LIC (Lateral indirect Control) technology for partially indirect emission.

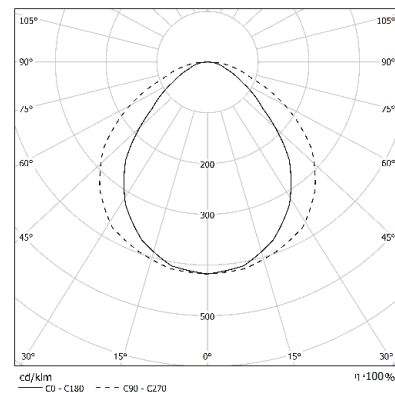


COD	Light Source	lm	mm
76DPL48L4RDD	48W 4000K	3880	315
76DPL96L4RDD	96W 4000K	7776	575

COD	Light Source	lm	mm
76DPL48L3RDD	48W 3000K	3840	315
76DPL96L3RDD	96W 3000K	7680	575



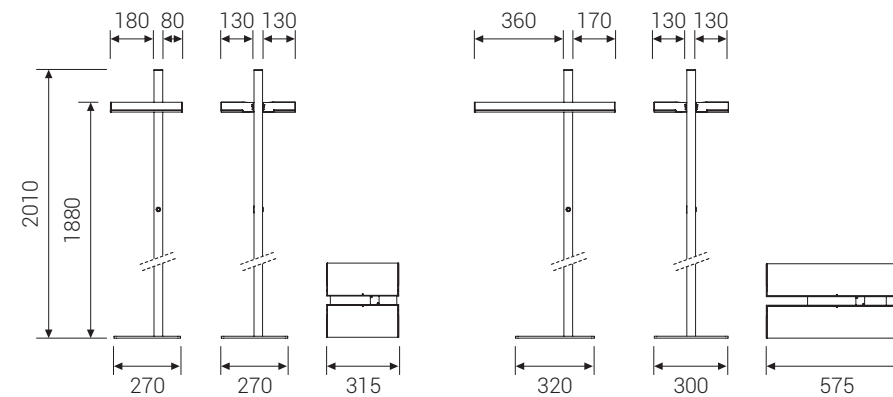
IP 40 A*



UPLIK FLOOR TWIN

OPTIC

Diffuser with Diamond Prism Technology UGR<19 for environments with display screen equipment. LIC (Lateral indirect Control) technology for partially indirect emission.

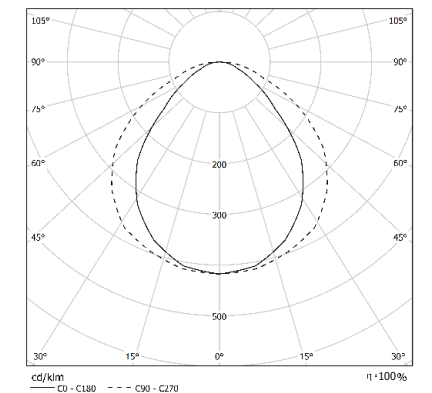


COD	Light Source	lm	mm
76DPL96L4TRDD	96W 4000K	7776	315
76DPL192L4TRDD	192W 4000K	15552	575

COD	Light Source	lm	mm
76DPL96L3TRDD	96W 3000K	7680	315
76DPL192L3TRDD	192W 3000K	15360	575



IP 40 A*



UPLIK FLOOR Double emission

OPTIC

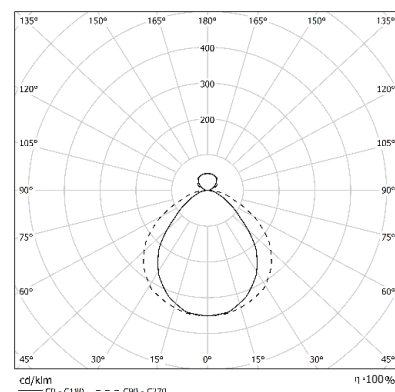
Lower diffuser with Diamond Prism Technology UGR<19 for environments with display screen equipment and LIC (Lateral indirect Control) technology for partially indirect emission. Upper PG protective diffuser for dual emission: direct / indirect.

COD	Light Source	lm	mm
76DI48DPPLL4RDD	48W 4000K	3984	315
76DI96DPPLL4RDD	96W 4000K	7968	575

COD	Light Source	lm	mm
76DI48DPPLL3RDD	48W 3000K	3936	315
76DI96DPPLL3RDD	96W 3000K	7872	575



IP 40 A*



UPLIK FLOOR TWIN Double emission

OPTIC

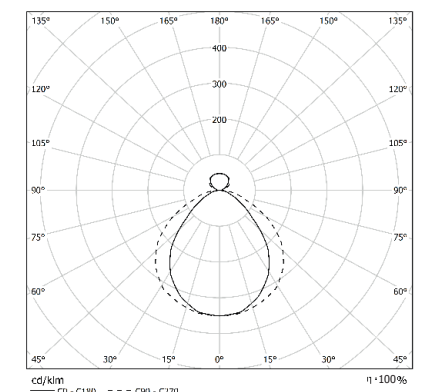
Lower diffuser with Diamond Prism Technology UGR<19 for environments with display screen equipment and LIC (Lateral indirect Control) technology for partially indirect emission. Upper PG protective diffuser for dual emission: direct / indirect.

COD	Light Source	lm	mm
76DI96DPPLL4TRDD	96W 4000K	7968	315
76DI192DPPLL4TRDD	192W 4000K	15936	575

COD	Light Source	lm	mm
76DI96DPPLL3TRDD	96W 3000K	7872	315
76DI192DPPLL3TRDD	192W 3000K	15774	575



IP 40 A*



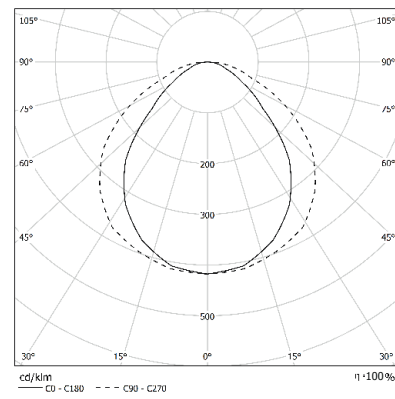
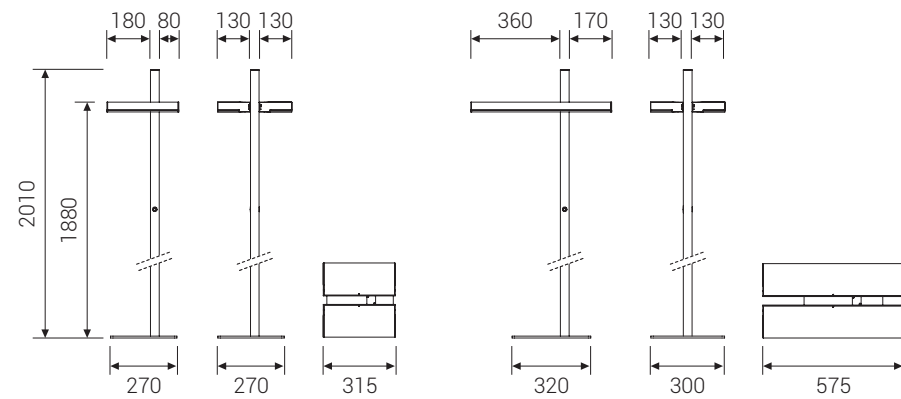
UPLIK FLOOR TWIN INTELLIGENT

OPTIC

Diffuser with Diamond Prism Technology UGR<19 for environments with display screen equipment. LIC (Lateral indirect Control) technology for partially indirect emission. The system setup requires at least 1 DIMDGCPROGRAMMER (pag. 349).



IP 40 A*



COD		lm	mm
76DPL96L4TI	96W 4000K	7776	315
76DPL192L4TI	192W 4000K	15552	575
COD		lm	mm
76DPL96L3TI	96W 3000K	7680	315
76DPL192L3TI	192W 3000K	15360	575

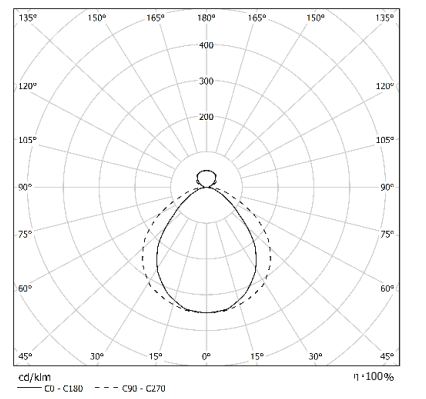
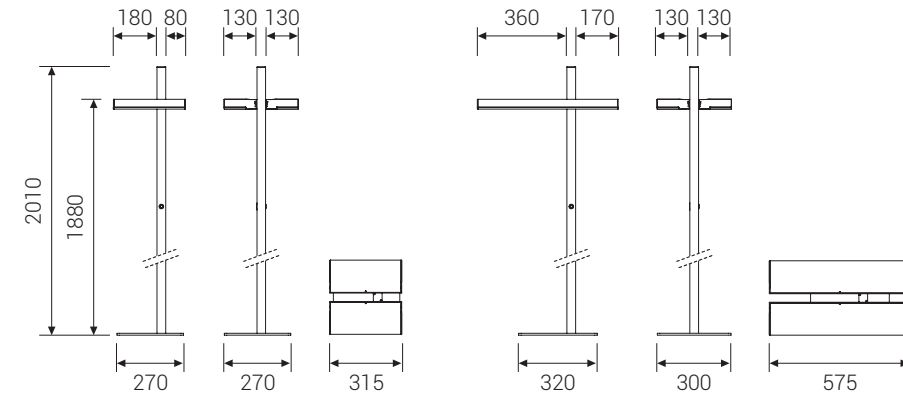
UPLIK FLOOR TWIN INTELLIGENT Double emission

OPTIC

Lower diffuser with Diamond Prism Technology UGR<19 for environments with display screen equipment and LIC (Lateral indirect Control) technology for partially indirect emission. Upper PG protective diffuser for dual emission: direct / indirect. The system setup requires at least 1 DIMDGCPROGRAMMER (pag. 349).



IP 40 A*



COD		lm	mm
76DI96DPLL4TI	96W 4000K	7968	315
76DI192DPLL4TI	192W 4000K	15936	575
COD		lm	mm
76DI96DPLL3TI	96W 3000K	7872	315
76DI192DPLL3TI	192W 3000K	15744	575